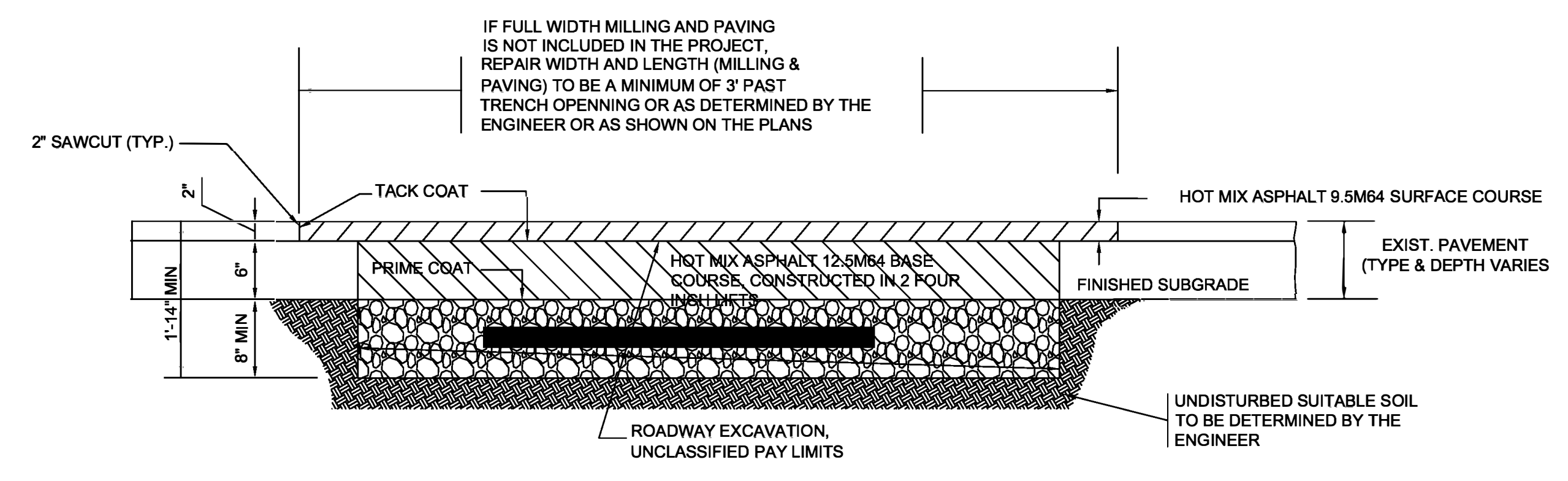
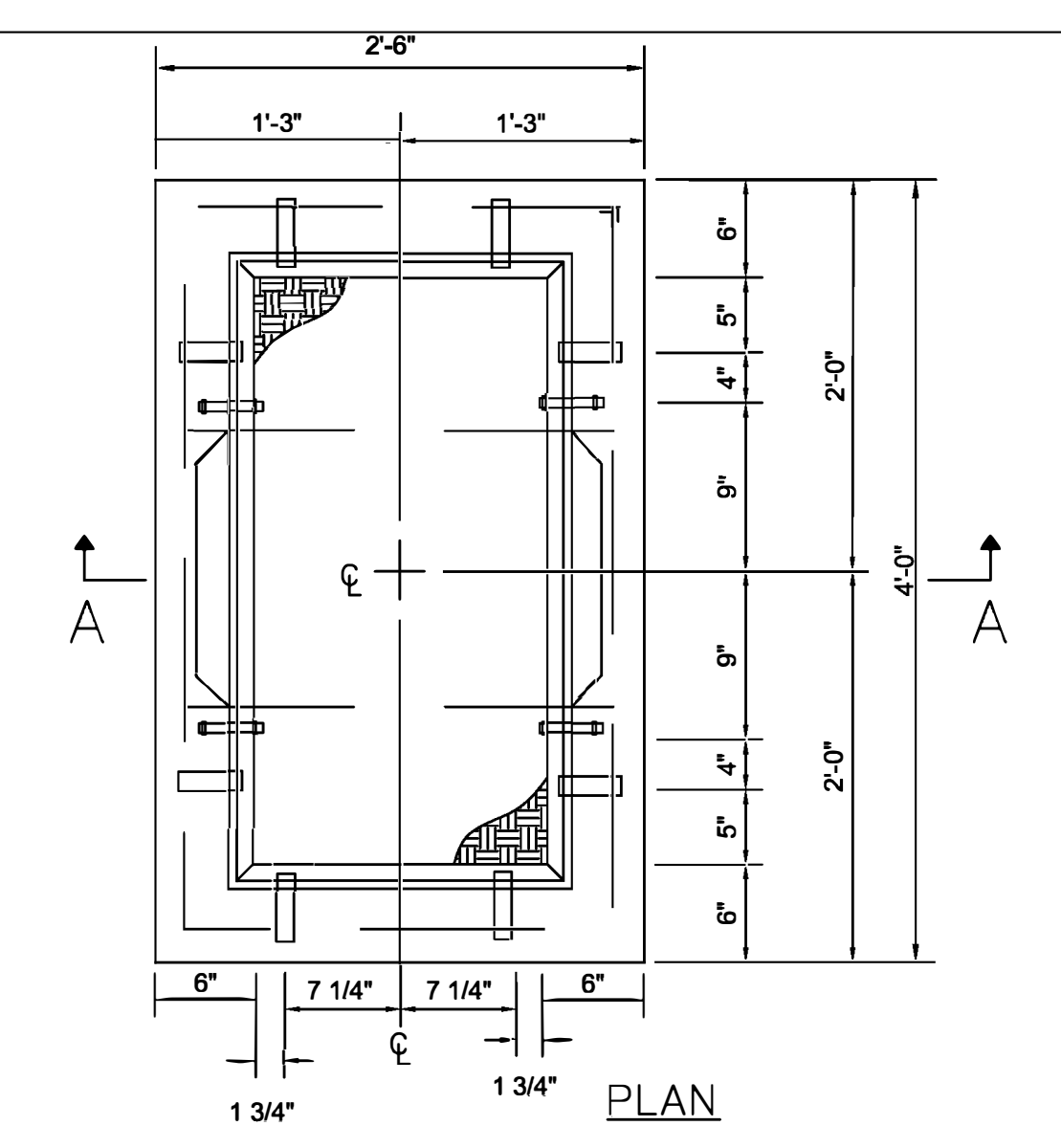


RESET WATER VALVE BOX
N.T.S.

NOTE:
WATER VALVE BOX RISERS MAY
BE USED SUBJECT TO THE
APPROVAL OF THE ENGINEER

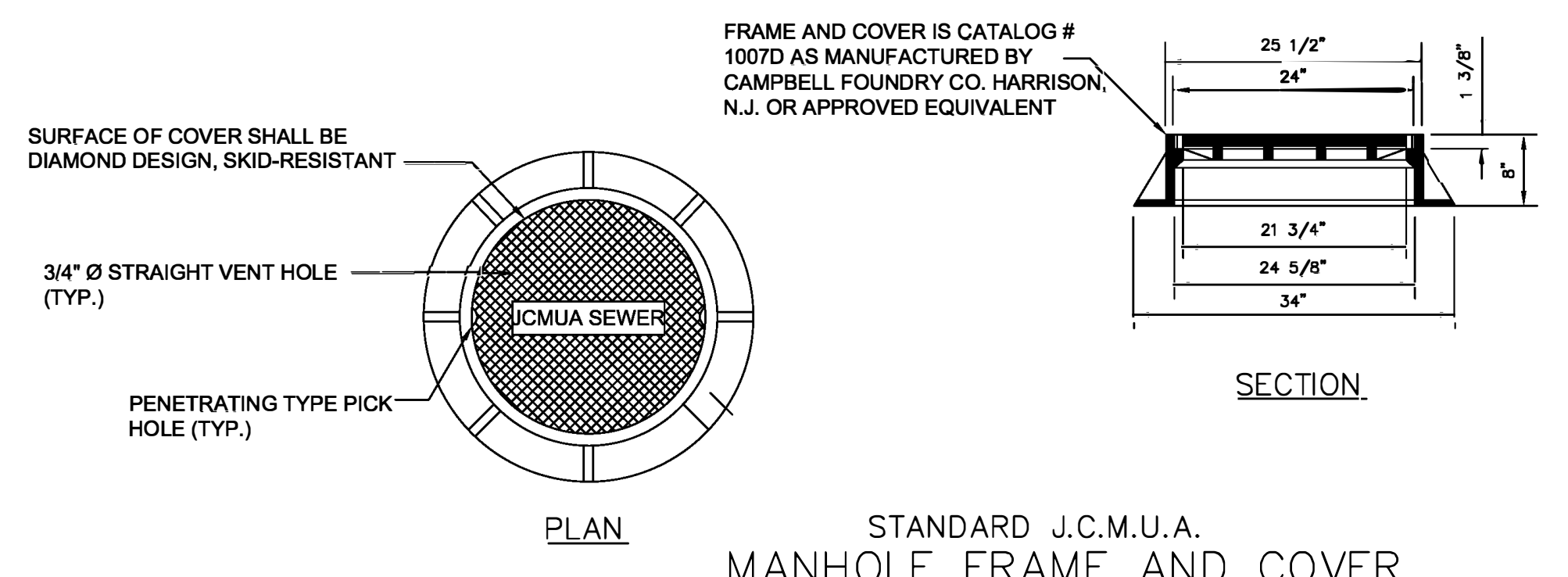


HOT MIX ASPHALT PAVEMENT REPAIR
N.T.S.

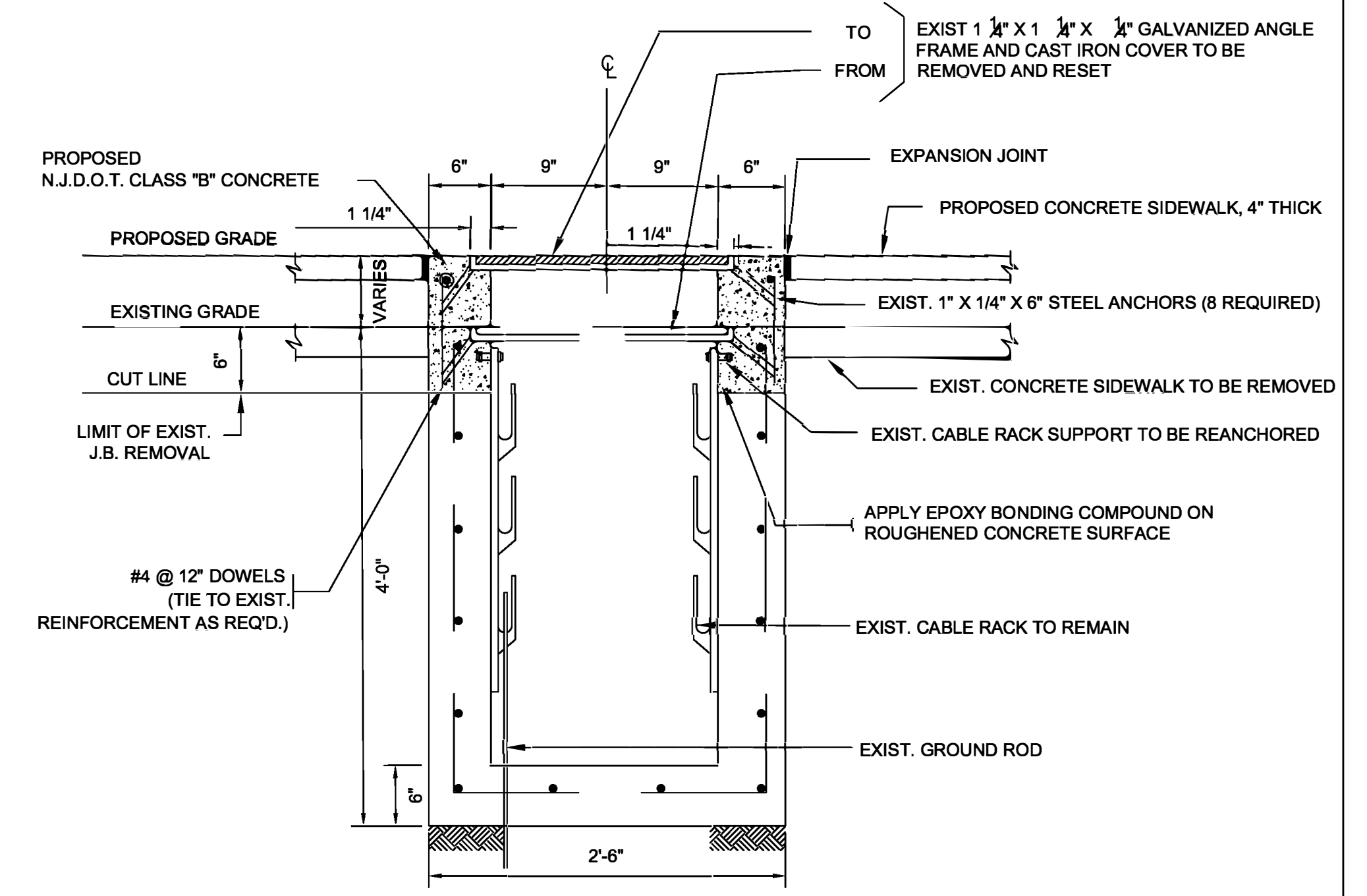


RESET JUNCTION BOX CASTING
N.T.S.

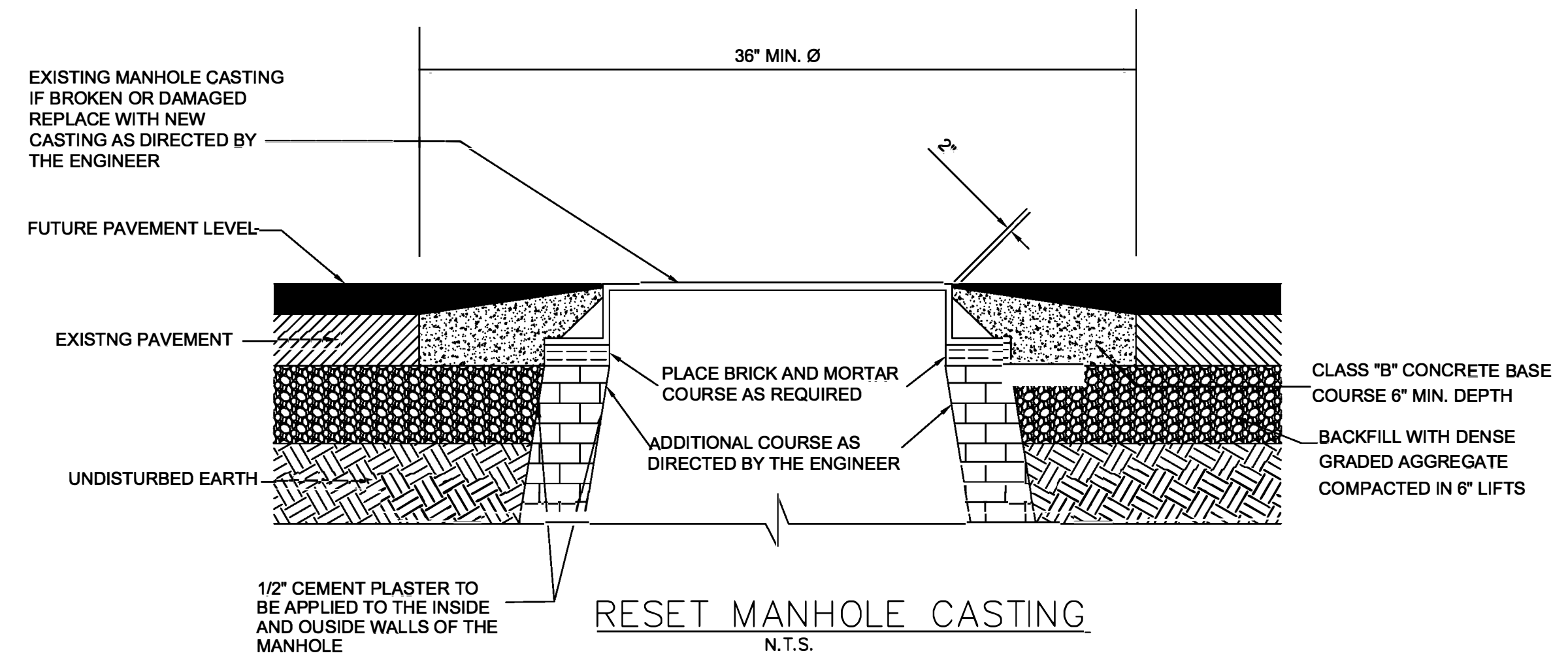
NOTE:
RIGID METAL CONDUITS ENTERING
JUNCTION BOX VARY AND NOT
SHOWN ON THIS DETAIL



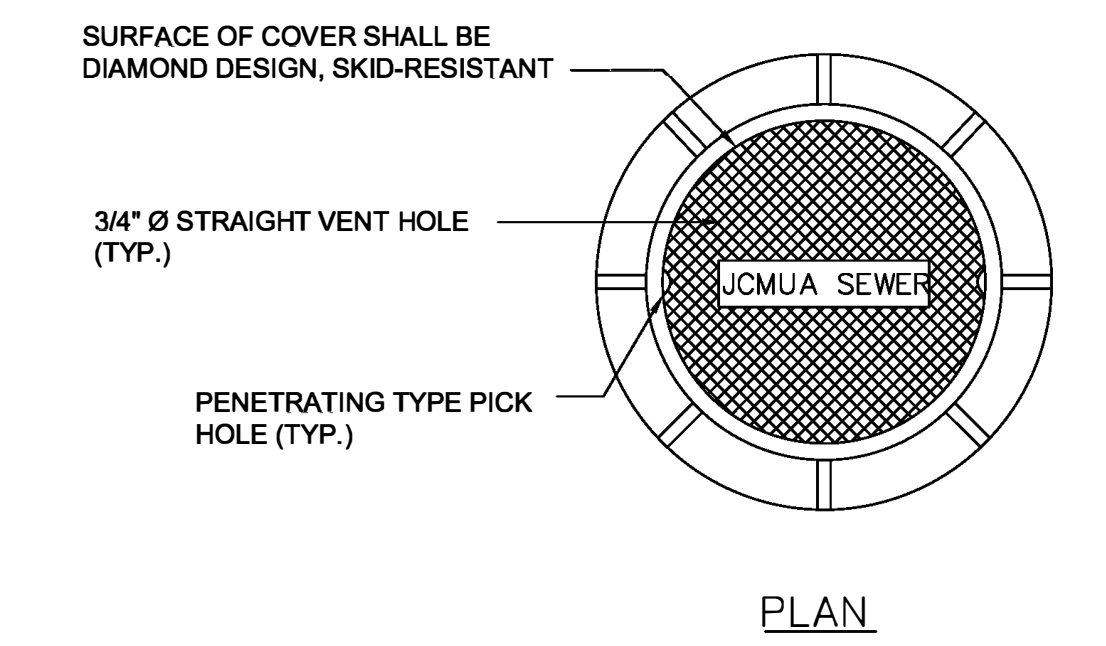
STANDARD J.C.M.U.A.
MANHOLE FRAME AND COVER
(FOR EXISTING MANHOLE CASTING REPLACEMENT ON MANHOLES WITH 24\"/>



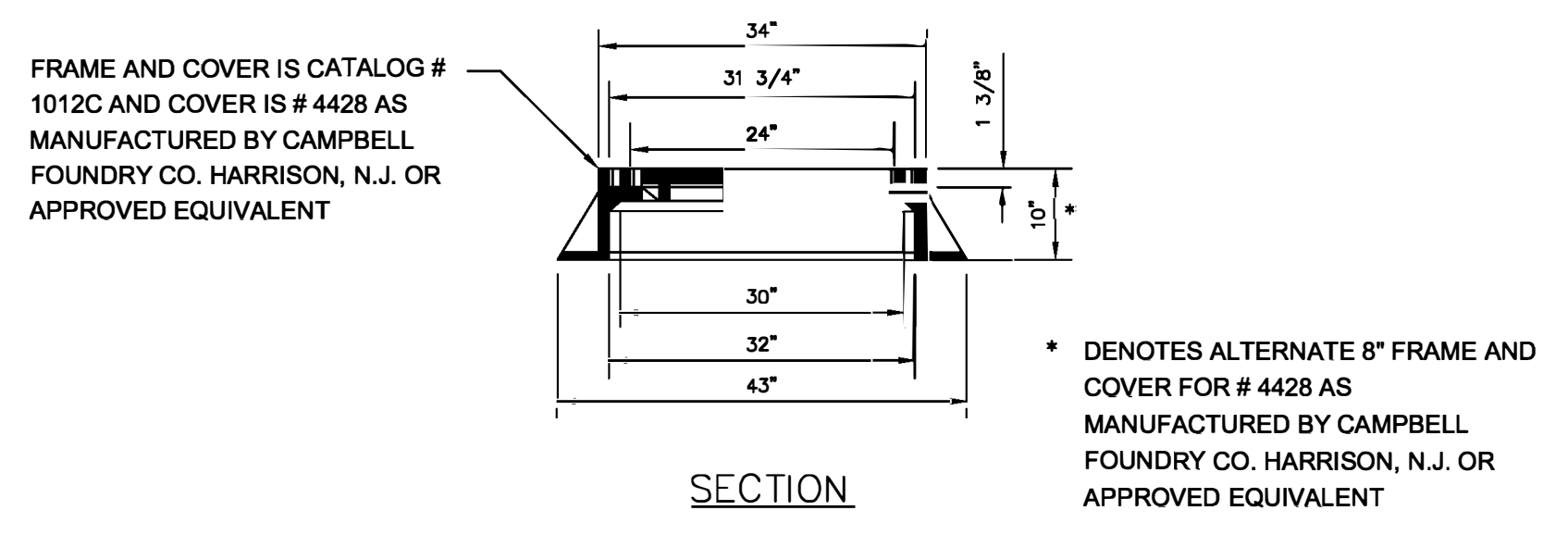
SECTION A-A
RESET JUNCTION BOX CASTING
N.T.S.



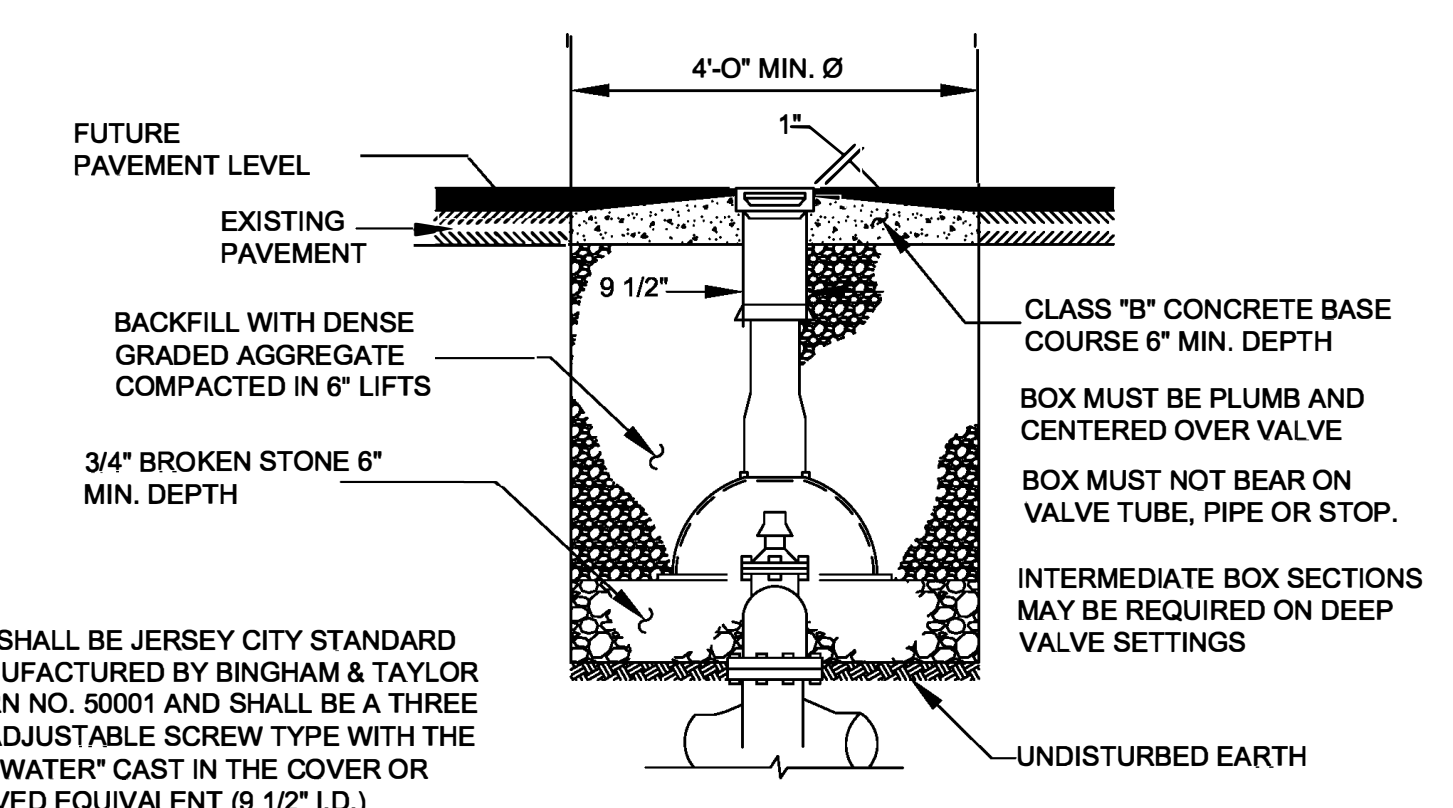
RESET MANHOLE CASTING
N.T.S.



STANDARD J.C.M.U.A.
MANHOLE FRAME AND COVER
(FOR NEW MANHOLE CONSTRUCTION WITH STANDARD 30\"/>



* DENOTES ALTERNATE 8\"/>



NEW WATER VALVE BOX DETAIL
N.T.S.

BOXES SHALL BE JERSEY CITY STANDARD AS MANUFACTURED BY BINGHAM & TAYLOR PATTERN NO. 50001 AND SHALL BE A THREE PIECE ADJUSTABLE SCREW TYPE WITH THE WORD \"WATER\" CAST IN THE COVER OR APPROVED EQUIVALENT (9 1/2\"/>

COPYRIGHT 2008, TAM ASSOCIATES - ALL RIGHTS RESERVED. THE COPYING OR REUSE OF THIS DOCUMENT, OR PORTIONS THEREOF, FOR OTHER THAN THE ORIGINAL PROJECT OR THE PURPOSE ORIGINALLY INTENDED, WITHOUT THE WRITTEN PERMISSION OF TAM ASSOCIATES, IS PROHIBITED.

City of Jersey City
Division of Engineering
575 ROUTE 440
JERSEY CITY, NEW JERSEY 07305
(201) 547-4412



NO.	REVISIONS	DATE
1	Roadway Excavation Detail Changed. Equal Changed to Equivalent	7/09

CITY OF JERSEY CITY STANDARDS		
NO.	REVISIONS	DATE

William R. Goble, P.E.
Director
Division of Engineering
NJ P.E. Lic. No. 24798

Construction Standards New & Reset Water Valve Box, Reset Junction Box, Reset Manholes & Covers, & Roadway Excavation, Repairs, & New Pavements		
DRAWN BY	DESIGNED BY	CHECKED BY
PROJECT NO.	CADD FILE	SCALE

DRAWING
SHEET
6
17